

230 VAC

W.M. ASSOCIATES, INC.
415 WASHINGTON AVENUE
ALBANY, N.Y. 12208
(518) 486-1234

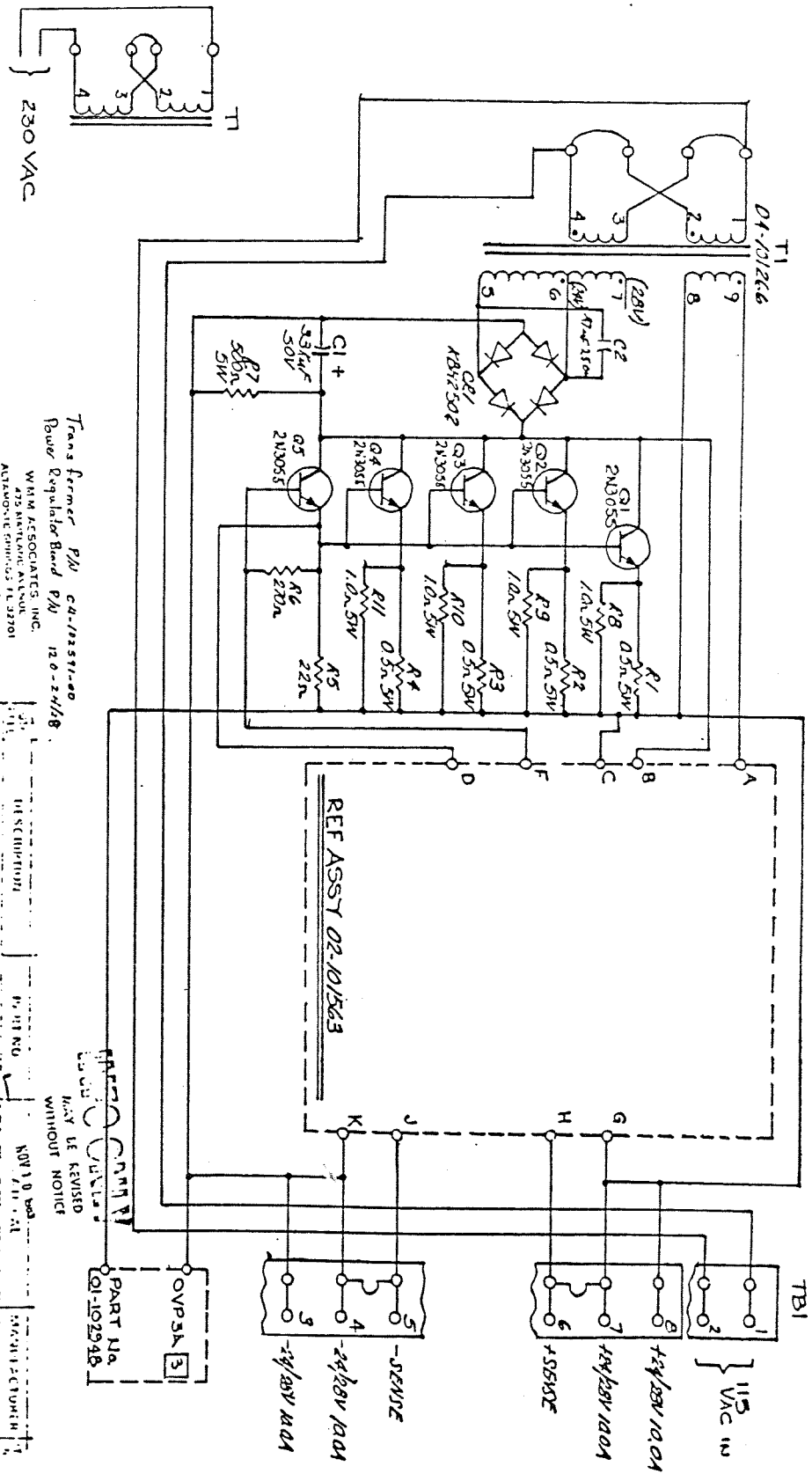
REV	DATE	DESCRIPTION	BY	CHKD
1				
2				
3				
4				
5				
6				
7				
8				
9				
10				

STANDARD POWER, INC.
SANTA ANA, CALIFORNIA

SCHEMATIC - POWER SUPPLY
REMOTE SENSE SPS 120-24/23

51106 C 12-101563

5. OVP Optional 6.0-6.9 R12-2K+ 1%
4. Select IN 4735A 6.1-6.19 R12-1.91K + 1%
- 6.2-6.29 R12-1.87K + 1%
3. Ref. Assys 01-101563
2. Metal Film Resistors TOL + 2%, 1/2 W
1. Carbon Resistors TOL + 5%, 1/2 W



Transformer P/N 04-102571-00
 Power Regulator Board P/N 120-2418

WMM ASSOCIATES, INC.
 1720 MARSHFIELD AVENUE
 ALHAMBRA, CALIFORNIA 91701
 (800) 831-4530

REV	DESCRIPTION	DATE	BY	CHKD
1	INITIAL DESIGN	12-10-85	JW	...
2
3

STANDARD POWER, INC.
 12-102592

- 3 OVP OPTIONAL
 - 2 REFERENCE ASSEMBLIES (NOTED) 02-101563
 - 1 CARBON RESISTORS ±5%, 1/4W
- NOTES: